

EWT90

This 36-inch (90mm) class machine is perfect for the smaller floors and provides for easy operations with excellent balance for professional finishes.



Trowel handle with padded bar has adjustable operator's handle, centrifugal safety switch to turn the engine off in case of the operator loses control of the handle



Honda GX160, a proven, dependable power source



Wraparound steel engine protection with integral lifting bale, gives the engine the protection it needs and offers a secure lifting point for transportation.



CE approved guard ring provides the operator safety during operation



Heavy duty long lasting gear box efficient well-balanced design to give your slab a quality finish



Cast iron spider assembly with bronze bushings, the heart of the trowel's bottom end. Maintenance and repair is greatly reduced, adjustable trowel arms mean a truer floor and higher quality finish



Adjustable Operators Handle allows the operator to adjust the end of the handle for the most comfortable operation. This reduces fatigue and provides more comfort to the operator. The handle can be placed fully forward to save space for transport and storage.

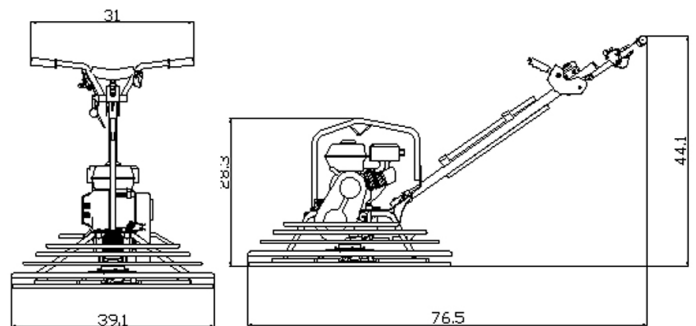


Rapid Pitch Blade Adjustment is a standard feature of the ESI trowel for quick adjustment of the blade pitch, more convenient than an adjustment knob. Faster blade adjustment when moving from the float to finish process.



Throttle assembly is a heavy-duty rack and pinion design made out of cast aluminum, no stamped metal parts to bend on you while you operate the throttle.

Technical Data	
DESCRIPTION	EWT90
DIMENSION (LxWxH) – mm (in)	76.5 x 39.1 x 44.1 (1,944 x 992 x 1,120)
GUARD RING DIAMETER - in (mm)	39.1 (992)
OPERATING WEIGHT - lb (kg)	170 (77)
HANDLE TYPE	STRAIGHT
GEARBOX	HEAVY-DUTY
MAX. BLADE PITCH ANGLE - °	15
NO. OF BLADES	4
BLADE OPERATING SPEED - rpm	50 – 150
ENGINE	HONDA GX160
ENGINE TYPE	4-STROKE GASOLINE
MAX. POWER OUTPUT - HP (kW)	GX160 @ 4.8 (3.6)



Equipment Synergy International
 101 Gannaway Drive , Suite # 3
 P.O. Box 997
 Jamestown, North Carolina 27282
 Phone: 866.648.7101
 Fax: 336.310.1177
 Email: sales@theESchoice.com
 www.theESchoice.com